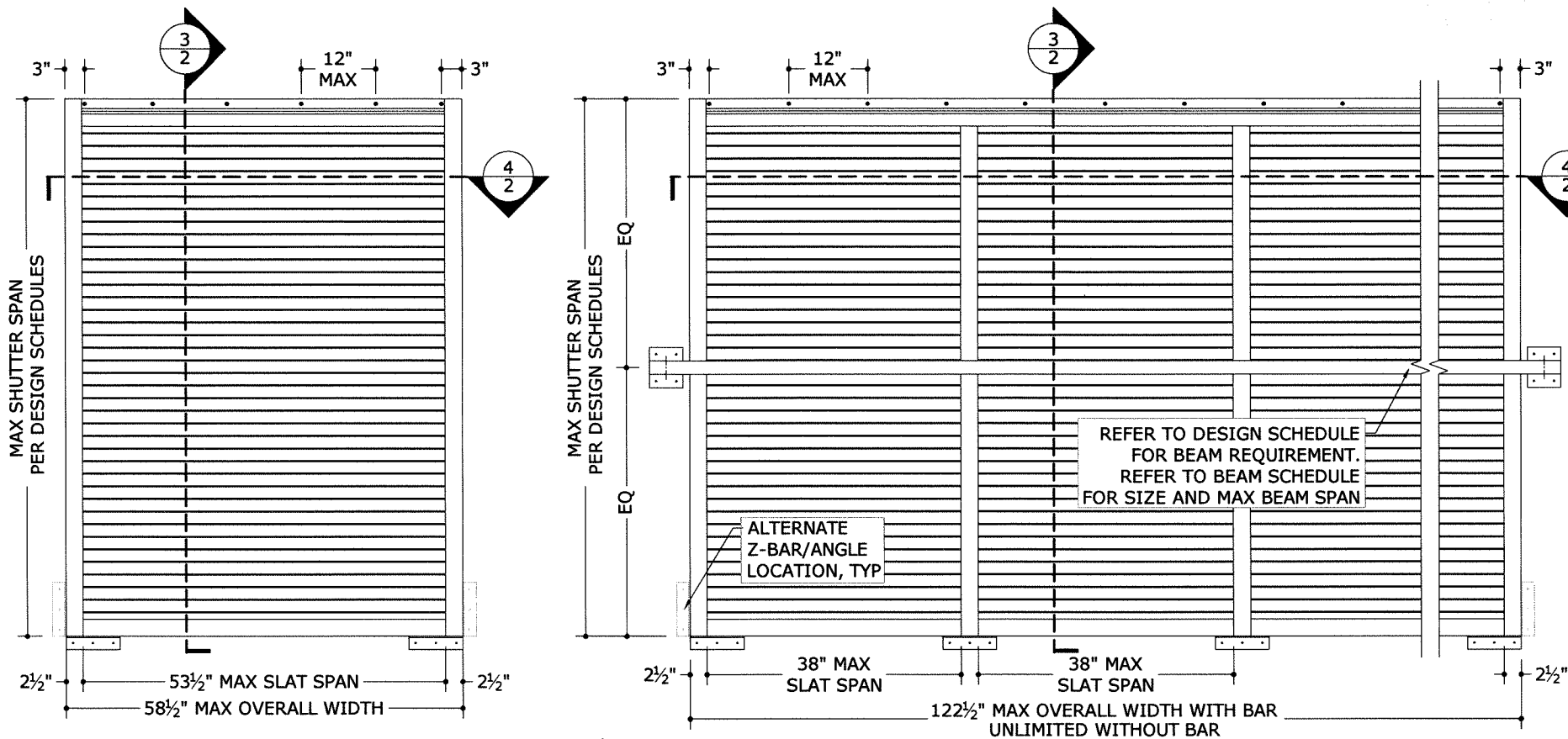


FULLVIEW BAHAMA SHUTTER (HVHZ AND NON-HVHZ COMPLIANT)

PATENT #8126298



1 SINGLE PANEL SPAN
1 N.T.S. EXTER. ELEVATION

2 MULTI PANEL SPAN
1 N.T.S. EXTER. ELEVATION



GENERAL NOTES

1. THE SYSTEM DESCRIBED HEREIN HAS BEEN DESIGNED AND TESTED IN ACCORDANCE WITH THE FLORIDA BUILDING CODE SIXTH EDITION (2017), FOR USE WITHIN THE HVHZ AND NON-HVHZ, AS WELL AS THE INTERNATIONAL BUILDING CODE (IBC) AND INTERNATIONAL RESIDENTIAL CODE (IRC). SEE PRODUCT EVALUATION REPORT FOR ADDITIONAL INFORMATION.
2. NO 33-1/3% INCREASE IN ALLOWABLE STRESS HAS BEEN USED IN THE DESIGN OF THIS SYSTEM. WIND LOAD DURATION FACTOR Cd=1.6 HAS BEEN USED FOR WOOD ANCHOR DESIGN.
3. POSITIVE AND NEGATIVE DESIGN PRESSURES CALCULATED FOR USE WITH THIS SYSTEM SHALL BE DETERMINED PER SEPARATE ENGINEERING IN ACCORDANCE WITH THE GOVERNING CODE. PRESSURE REQUIREMENTS AS DETERMINED IN ACCORDANCE WITH ASCE 7-10 AND CHAPTER 1609 OF THE FLORIDA BUILDING CODE SIXTH EDITION (2017) SHALL BE LESS THAN OR EQUAL TO THE POSITIVE OR NEGATIVE DESIGN PRESSURE CAPACITY VALUES LISTED HEREIN FOR ANY ASSEMBLY AS SHOWN.
4. DESIGN PRESSURES NOTED HEREIN ARE BASED ON MAXIMUM TESTED PRESSURES DIVIDED BY A 1.5 SAFETY FACTOR.
5. THIS SYSTEM HAS BEEN DESIGNED WITH NO SEPARATION FROM GLAZING REQUIRED FOR ALL WIND ZONES, IN ACCORDANCE WITH ASTM 1996-09. IT IS ACCEPTABLE BY CODE UNLESS OPTIONAL CRITERIA IS INDEPENDENTLY ADOPTED BY THE AUTHORITY HAVING JURISDICTION.
6. THE SYSTEM DETAILED HEREIN IS GENERIC AND DOES NOT PROVIDE INFORMATION FOR A SPECIFIC SITE. FOR SITE CONDITIONS DIFFERENT FROM THE CONDITIONS DETAILED HEREIN, A LICENSED ENGINEER OR REGISTERED ARCHITECT SHALL PREPARE SITE SPECIFIC DOCUMENTS FOR USE IN CONJUNCTION WITH THIS DOCUMENT.
7. PERMIT HOLDER SHALL VERIFY THE ADEQUACY OF THE EXISTING STRUCTURE TO WITHSTAND SUPERIMPOSED LOADS. WOOD BUCKS (BY OTHERS) SHALL BE ANCHORED PROPERLY TO TRANSFER LOADS TO THE EXISTING STRUCTURE.
8. SHUTTER MAY BE INSTALLED AS SINGLE PANEL OR AS MULTI-PANEL SPANS TO UNLIMITED WIDTH, SEE DETAIL 1/2 & 3/4 FOR MAXIMUM SLAT SPANS.
9. ALL EXTRUSIONS SHALL BE 6063-T6 ALUMINUM ALLOY, UNLESS NOTED OTHERWISE. ALL TOLERANCES SHALL BE IN ACCORDANCE WITH ADM 2015.
10. THIS SYSTEM MUST BE CLOSED AND LOCKED FOR WIND AND IMPACT PROTECTION. THIS SYSTEM HAS BEEN DESIGNED FOR A WIND PRESSURE OF 18 PSF IN THE OPEN POSITION. A PERMANENT LABEL MUST BE ADHERED TO THE UNDERSIDE OF EACH BAHAMA SHUTTER CONTAINING THE FOLLOWING:

SHUTTER AND LOUVERS TO BE CLOSED AND LOCKED WHEN HURRICANE WARNINGS ARE ISSUED

11. BAHAMA SHUTTERS SHALL BE PERMANENTLY LABELED AS PRESCRIBED IN THE ABOVE-NOTED BUILDING CODE AND CONTAIN AT LEAST THE FOLLOWING:

**TOWN & COUNTRY INDUSTRIES
FT. LAUDERDALE, FL
ASTM E330, E1886, & E1996 MISSILE LEVEL D
TAS 201, 202, & 203
FLORIDA PRODUCT APPROVAL NUMBER**

12. ALL BOLTS & WASHERS SHALL BE ZINC COATED STEEL, GALVANIZED STEEL, STAINLESS STEEL, OR 2024-T6 ALUMINUM ALLOY WITH A MINIMUM TENSILE YIELD STRENGTH OF 33 KSI.

13. ALL CONCRETE ANCHORS TO BE INSTALLED TO NON-CRACKED CONCRETE ONLY.

14. ALL STEEL IN CONTACT WITH ALUMINUM SHALL BE PAINTED OR PLATED AS PRESCRIBED IN THE ABOVE-NOTED BUILDING CODE.

HVHZ (TABLE 1 & 2) NOTES:

1. HIGH VELOCITY HURRICANE ZONE (HVHZ) IS DEFINED AS MIAMI-DADE COUNTY AND BROWARD COUNTY FLORIDA ONLY.
2. TABLE 1 SHALL BE USED FOR INSTALLATIONS IN THE HIGH VELOCITY HURRICANE ZONE (HVHZ) TO DETERMINE THE MAXIMUM ALLOWABLE DESIGN PRESSURE FOR EACH SPAN.
3. FOR SPANS BETWEEN TABULATED VALUES USE NEXT HIGHER SPAN.
4. TABLE 2 SHALL BE USED TO DETERMINE MINIMUM SEPARATION FROM GLASS WITH IN THE HVHZ.

NON-HVHZ AND ESSENTIAL FACILITIES (TABLE 3 & 4) NOTES:

1. NON-HVHZ IS DEFINED AS ALL LOCATIONS OTHER THAN MIAMI-DADE COUNTY AND BROWARD COUNTY FLORIDA.
2. TABLE 2 MAY BE USED FOR INSTALLATIONS OUTSIDE THE HIGH VELOCITY HURRICANE ZONE (HVHZ).
3. FOR SPANS BETWEEN TABULATED VALUES, USE NEXT HIGHER SPAN.
4. FOR INSTALLATIONS OUTSIDE THE HVHZ IN ASTM WIND ZONES 1 THROUGH 4, TABLE 4 IS NOT REQUIRED AND NO MINIMUM SEPARATION FROM THE PROTECTED OPENING IS REQUIRED.

| TABLE 1 HVHZ | | | |
|----------------------------|-------------------|------------------|--------------|
| ALLOWABLE DESIGN PRESSURES | | | |
| MAX SHUTTER SPAN | CONFIGURATION | | |
| | SINGLE PANEL SPAN | MULTI PANEL SPAN | |
| | | W/O BEAM | W/ BEAM |
| 69" | +60/-73 PSF | +60/-73 PSF* | +60/-73 PSF* |
| 81 5/8" | +60/-73 PSF | - | +60/-73 PSF* |
| 96 3/4" | +60/-73 PSF* | - | +60/-73 PSF* |

*NOTE: LIMITED TO A MAX SLAT SPAN OF 38"

| TABLE 3 NON-HVHZ | | | |
|----------------------------|-------------------|------------------|--------------|
| ALLOWABLE DESIGN PRESSURES | | | |
| MAX SHUTTER SPAN | CONFIGURATION | | |
| | SINGLE PANEL SPAN | MULTI PANEL SPAN | |
| | | W/O BEAM | W/ BEAM |
| 69" | +78/-95 PSF | +78/-95 PSF* | +78/-95 PSF* |
| 81 5/8" | +78/-95 PSF | +50/-50 PSF†* | +78/-95 PSF* |
| 96 3/4" | +78/-95 PSF* | +50/-50 PSF†* | +78/-95 PSF* |

*NOTE: LIMITED TO A MAX SLAT SPAN OF 38"

†NOTE: NOT APPROVED FOR USE IN ESSENTIAL FACILITIES.

| TABLE 2 HVHZ | | | | |
|-------------------------------|-----------------|-------------------|------------------|--------|
| MINIMUM SEPARATION FROM GLASS | | | | |
| MAX SHUTTER SPAN | DESIGN PRESSURE | CONFIGURATION | | |
| | | SINGLE PANEL SPAN | MULTI PANEL SPAN | |
| | | W/O BEAM | W/ BEAM | |
| 69" | +56/-73 PSF | 2 3/8" | 3" | 2 3/8" |
| 69" | +60/-73 PSF | 2 3/8" | 3 1/4" | 2 3/8" |
| 81 5/8" | +60/-73 PSF | 2 3/8" | - | 2 3/8" |
| 96 3/4" | +60/-73 PSF | 2 3/8"* | - | 2 3/8" |

*NOTE: LIMITED TO A MAX SLAT SPAN OF 38"

| TABLE 4 NON-HVHZ ESSENTIAL FACILITIES NOT REQUIRED FOR WIND ZONES 1-4 | | | | |
|---|-----------------|-------------------|------------------|--------|
| MINIMUM SEPARATION FROM GLASS | | | | |
| MAX SHUTTER SPAN | DESIGN PRESSURE | CONFIGURATION | | |
| | | SINGLE PANEL SPAN | MULTI PANEL SPAN | |
| | | W/O BEAM | W/ BEAM | |
| 69" | +78/-95 PSF | 3 7/8" | 4 3/8" | 2 7/8" |
| 81 5/8" | +78/-95 PSF | 3 7/8" | - | 2 7/8" |
| 96 3/4" | +78/-95 PSF | 2 7/8"* | - | 2 7/8" |

*NOTE: LIMITED TO A MAX SLAT SPAN OF 38"

FRANK L. BENNARDO, P.E.
WPE0046549
08/09/2017
No. PE0046549
FRANK BENNARDO, P.E.
REGISTERED PROFESSIONAL ENGINEER
STATE OF FLORIDA
CORPORATE OFFICE:
160 SW 12th AVE, SUITE 106
DEERFIELD BEACH, FL 33442
P: (954) 354-0660 F: (954) 354-0663
E: HELLO@ENGINEERINGEXPRESS.COM
ENGINEERINGEXPRESS.COM
CERT OF AUTH #9885

Town & Country
INDUSTRIES
Wholesale Aluminum and Building Products
A Division of ABC Supply Co., Inc.
400 WEST MCNAB ROAD FT. LAUDERDALE, FL 33309
FLORIDA PRODUCT APPROVAL #13434.1

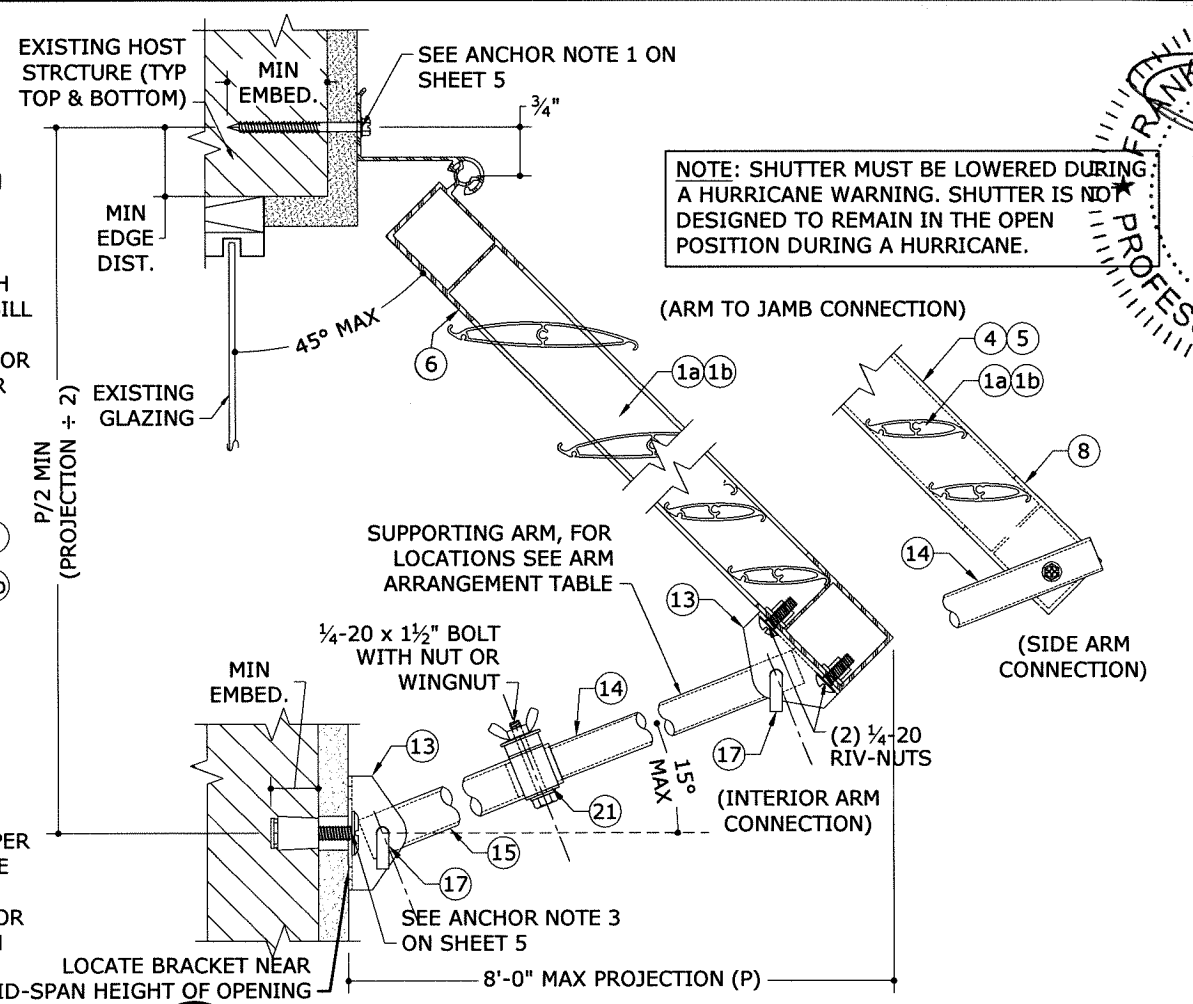
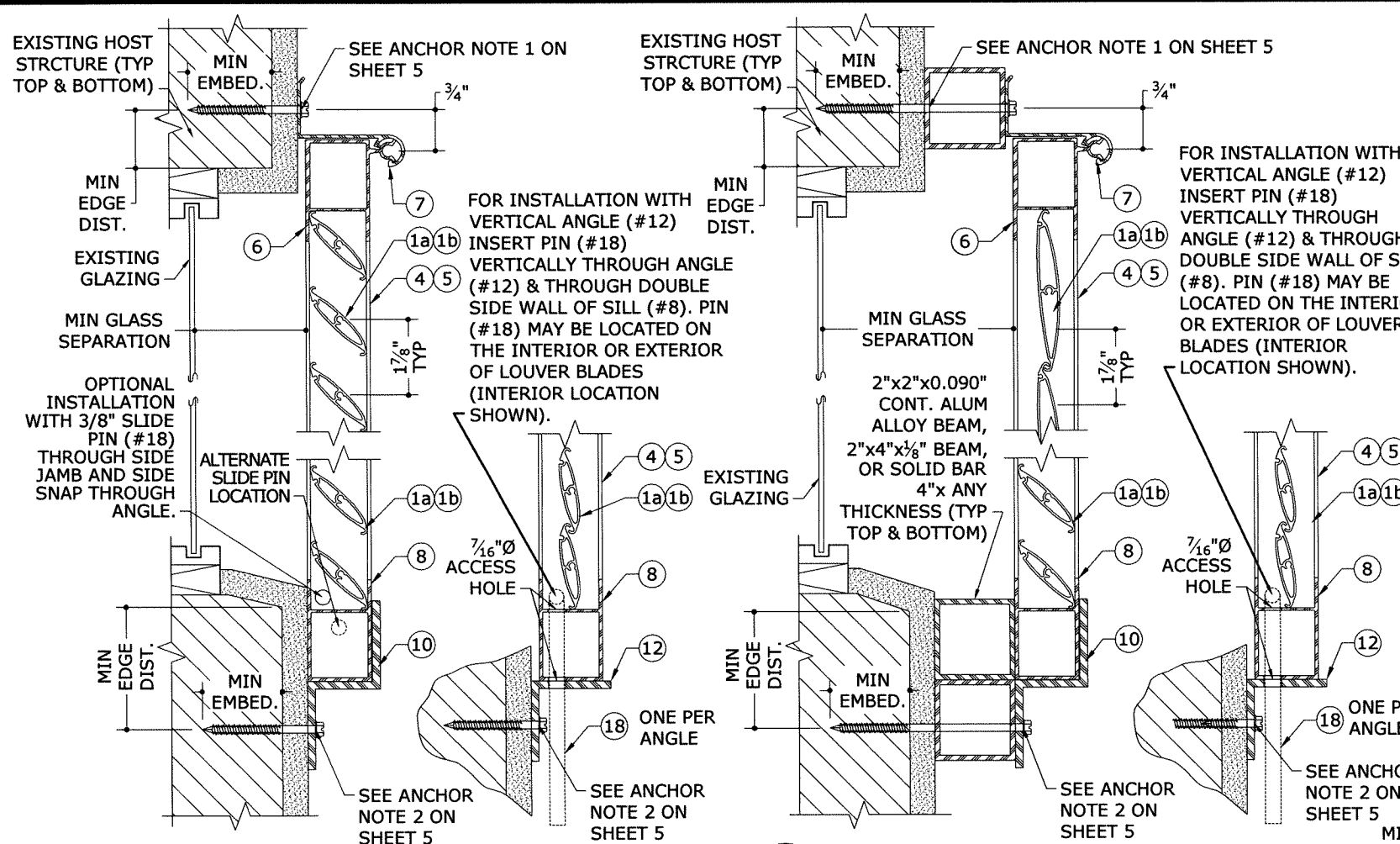
| REMARKS | DATE | DRWN | CHKD |
|--------------------------|----------|------|------|
| INIT ISSUE (08-TOM-0003) | 12/15/09 | FLB | FLB |
| CLIENT COMMENTS/CLOSURE | 02/25/10 | FLB | FLB |
| REV. PER ADDL TESTING | 06/04/10 | FLB | FLB |
| REV. PER ADDL TESTING | 06/04/10 | KL | KL |
| REV. PER ADDL TESTING | 12/16/11 | CSL | CSL |
| REV. (2014 FBC) | 04/07/15 | RWN | RWN |
| REV. (ADD. 4" BLADE) | 10/04/16 | RWN | RWN |
| REV. (2017 FBC) | 08/02/17 | RWN | RWN |

THIS DOCUMENT IS THE PROPERTY OF ENGINEERING EXPRESS AND SHALL NOT BE REPRODUCED IN WHOLE OR PART WITHOUT WRITTEN CONSENT OF THE CERTIFYING ENGINEER. A TERMINATION, ADDITIONAL, OR AMENDMENT TO THIS AGREEMENT IS REQUIRED. DOCUMENT USE NOT PERMITTED AND INVALIDATE OVERLAPPING PERIOD.

SCALE: -
PAGE DESCRIPTION:
1

V:\Projects\15-2342 Fullview Bahama Shutter - FSA - Update FL13434.1 for 2014 Florida Bldg C-Project\WP\2017 FBC Update\15-2342-Dwg-FL13434.1.dwg 08/09/2017 - 9:35pm zachr

08/09/2017 - 9:35pm zachr V:\Projects\15-2342 Fullview Bahama Shutter - FSA - Update FL13434.1 for 2014 Florida Bldg C-Project\WP\2017 FBC Update\15-2342-Dwg-FL13434.1.dwg

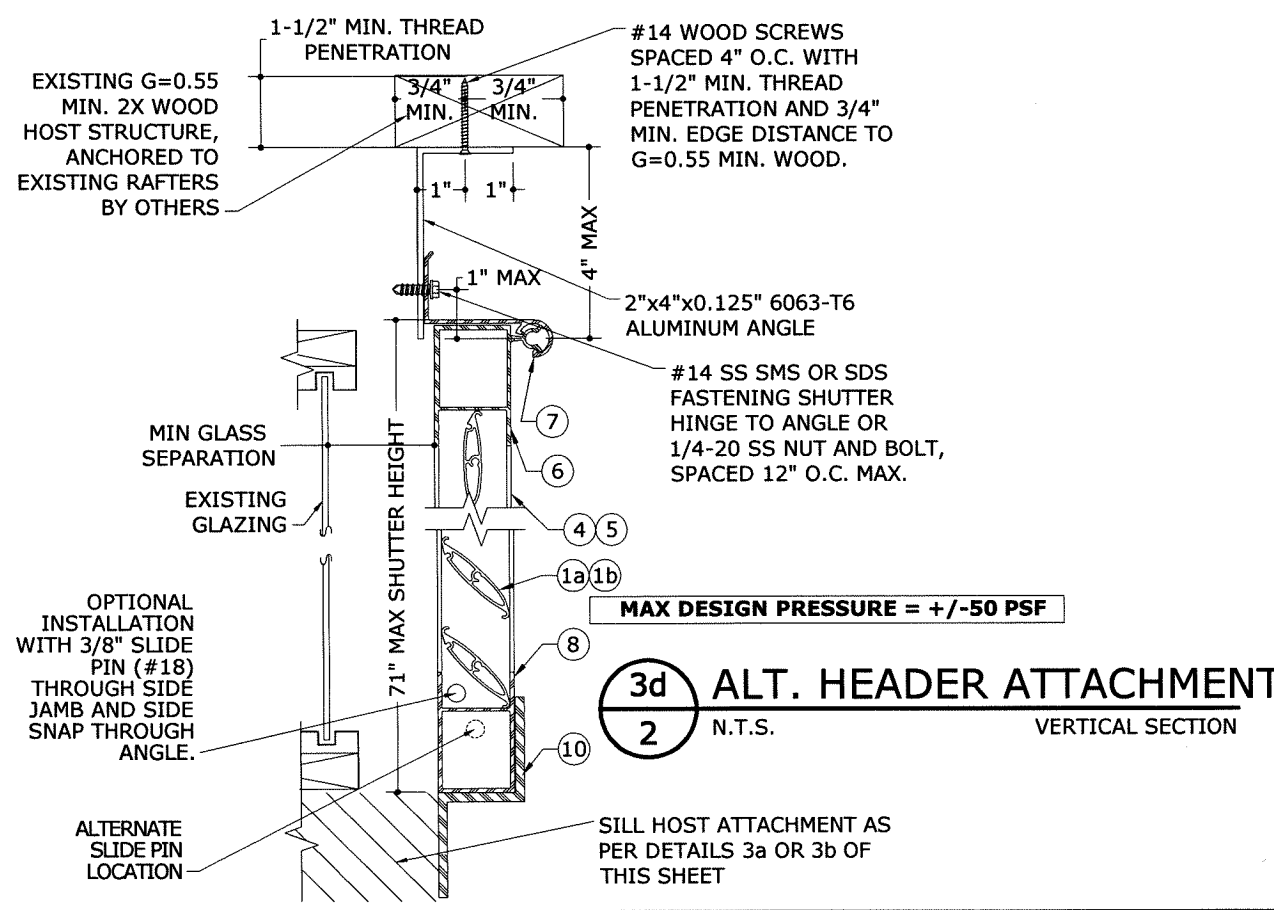


NOTE: SHUTTER MUST BE LOWERED DURING A HURRICANE WARNING. SHUTTER IS NOT DESIGNED TO REMAIN IN THE OPEN POSITION DURING A HURRICANE.

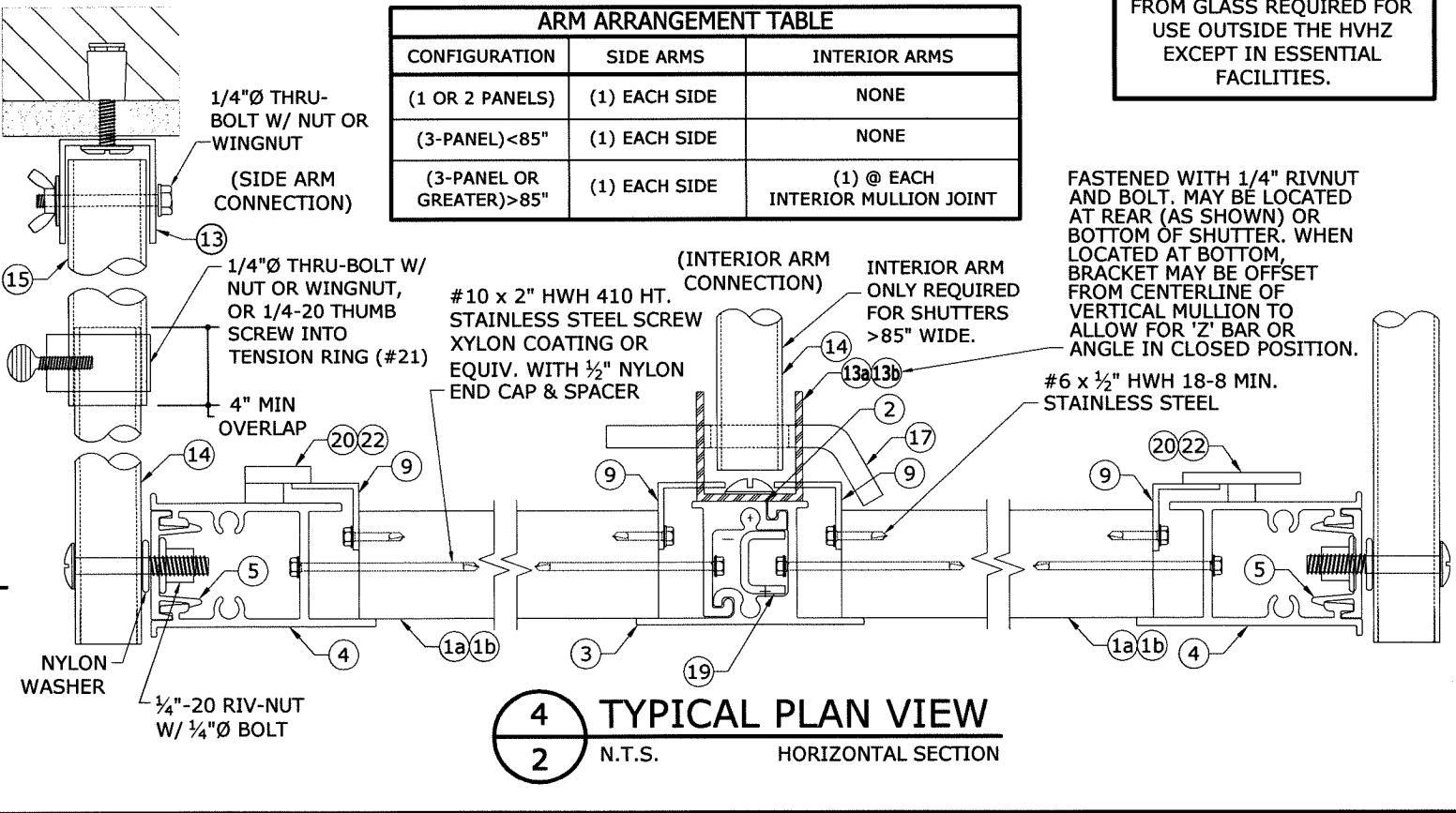
3a TYPICAL CLOSED POSITION
2 N.T.S. VERTICAL SECTION

3b BUILD-OUT CLOSED POSITION
2 N.T.S. VERTICAL SECTION

3c TYPICAL OPEN POSITION
2 N.T.S. VERTICAL SECTION



3d ALT. HEADER ATTACHMENT
2 N.T.S. VERTICAL SECTION



4 TYPICAL PLAN VIEW
2 N.T.S. HORIZONTAL SECTION

| ARM ARRANGEMENT TABLE | | |
|----------------------------|---------------|-----------------------------------|
| CONFIGURATION | SIDE ARMS | INTERIOR ARMS |
| (1 OR 2 PANELS) | (1) EACH SIDE | NONE |
| (3-PANEL) < 85" | (1) EACH SIDE | NONE |
| (3-PANEL OR GREATER) > 85" | (1) EACH SIDE | (1) @ EACH INTERIOR MULLION JOINT |

NO MINIMUM SEPARATION FROM GLASS REQUIRED FOR USE OUTSIDE THE HVHZ EXCEPT IN ESSENTIAL FACILITIES.

FASTENED WITH 1/4" RIVNUT AND BOLT. MAY BE LOCATED AT REAR (AS SHOWN) OR BOTTOM OF SHUTTER. WHEN LOCATED AT BOTTOM, BRACKET MAY BE OFFSET FROM CENTERLINE OF VERTICAL MULLION TO ALLOW FOR 'Z' BAR OR ANGLE IN CLOSED POSITION.

FRANK J. BENNARDI, P.E.
#PE0046549
08/09/2017
No PE0046549

ENGINEERING EXPRESS
CORPORATE OFFICE: 106 DEERFIELD BEACH, FL 33442
P: (954) 354-0660 F: (954) 354-0661
E: HELLO@ENGINEERINGEXPRESS.COM
CERT OF AUTH #9885

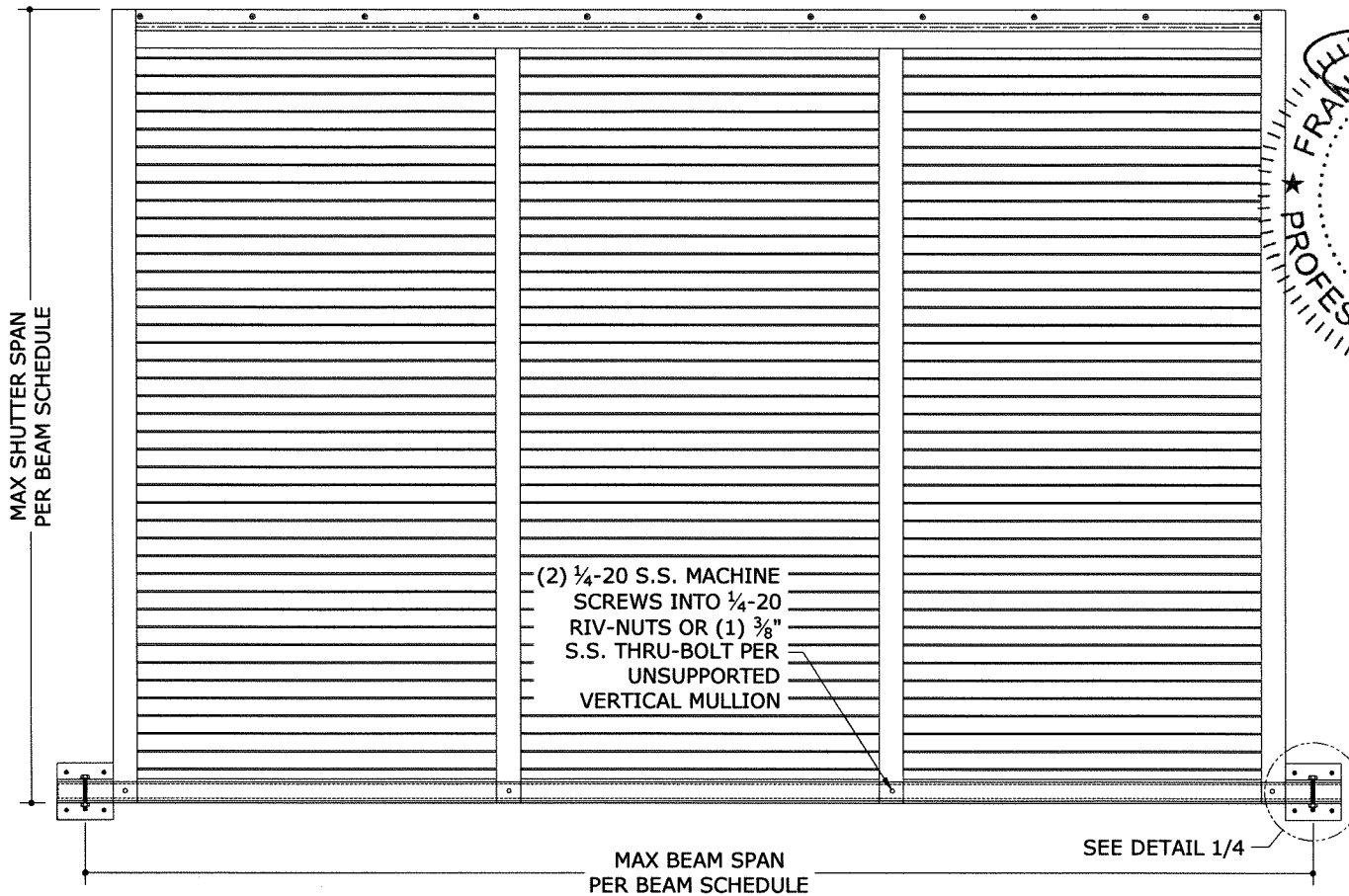
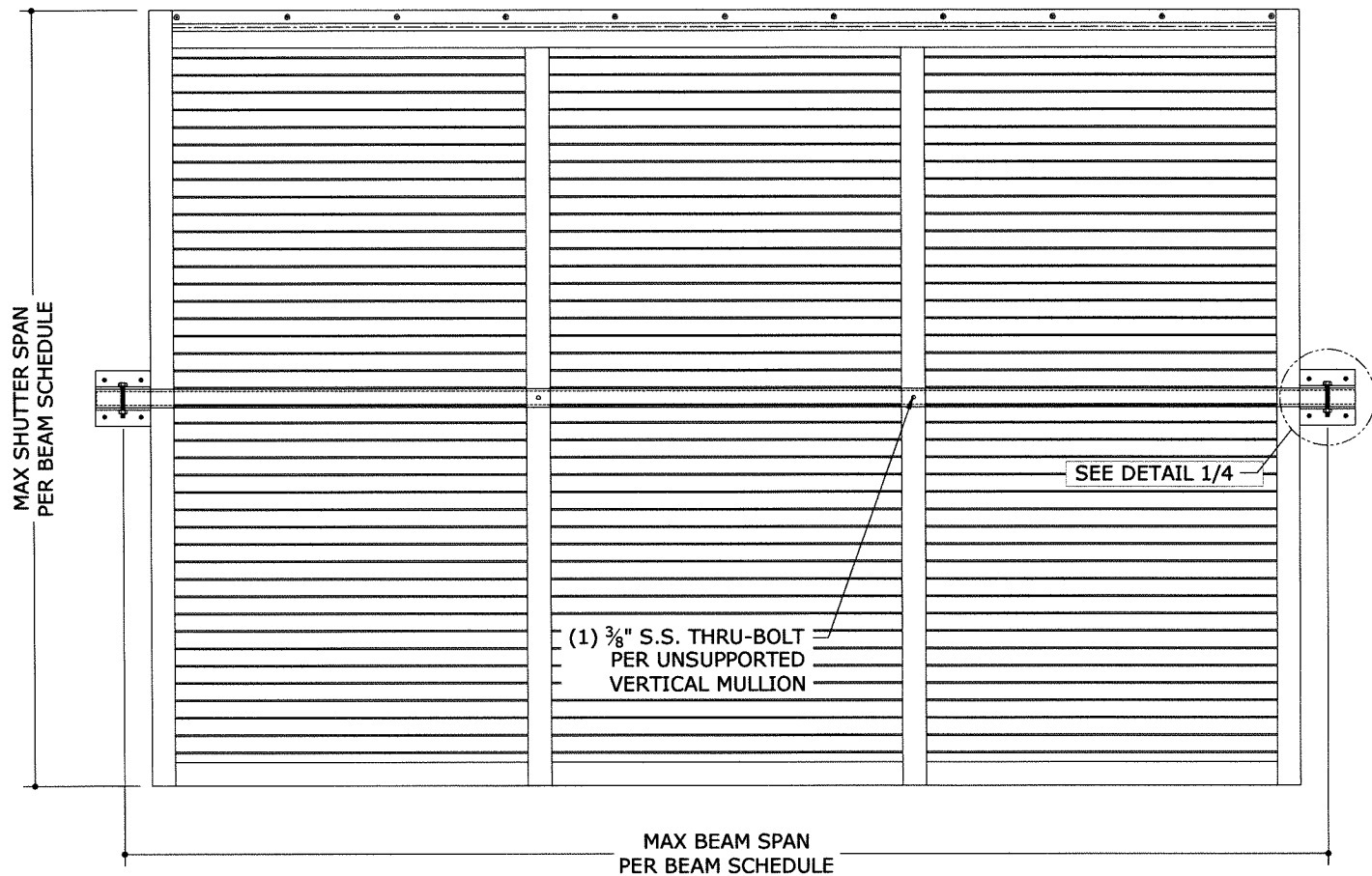
Town & Country INDUSTRIES
Wholesale Aluminum and Building Products
Advocate of AISC Supply Co., Inc.
400 WEST MCNAB ROAD FT. LAUDERDALE, FL 33309
FLORIDA PRODUCT APPROVAL #13434.1

| REMARKS | DRWN | CHKD | DATE |
|--------------------------|------|------|----------|
| INIT ISSUE (09-TCH-0003) | FLB | FLB | 12/15/09 |
| CLIENT COMMENTS/CLOSURE | KL | FLB | 02/25/10 |
| REV. PER ADDL. TESTING | KL | FLB | 08/04/10 |
| 2010 FBC | CSL | RWN | 12/16/11 |
| REV (2014 FBC) | RWN | CSL | 04/07/15 |
| REV (ADD 4' BLADE) | RWN | FLB | 10/04/16 |
| REV (2017 FBC) | RWN | FLB | 08/02/17 |

THIS DOCUMENT IS THE PROPERTY OF ENGINEERING EXPRESS AND SHALL NOT BE REPRODUCED IN WHOLE OR PART WITHOUT WRITTEN CONSENT OF THE CERTIFYING ENGINEER. ALL TYPING, ADDITIONS, HIGH-LIGHTING, OR OTHER MARKINGS TO THIS DOCUMENT ARE NOT PERMITTED AND WILL BE EVALUATED FOR CORRECTION.

COPYRIGHT ENGINEERING EXPRESS
15-2342
SCALE:
PAGE DESCRIPTION:
2

V:\Projects\15-2342 Fullview Bahama Shutter - FSA - Update FL13434.1 for 2014 Florida Bldg C-Project\WP2017 FBC Update\15-2342-Dwg-FL13434.1.dwg



1 MID-SPAN BEAM (AS REQUIRED)
3 N.T.S. EXTER. ELEVATION

2 BOTTOM BEAM (OPTIONAL)
3 N.T.S. EXTER. ELEVATION

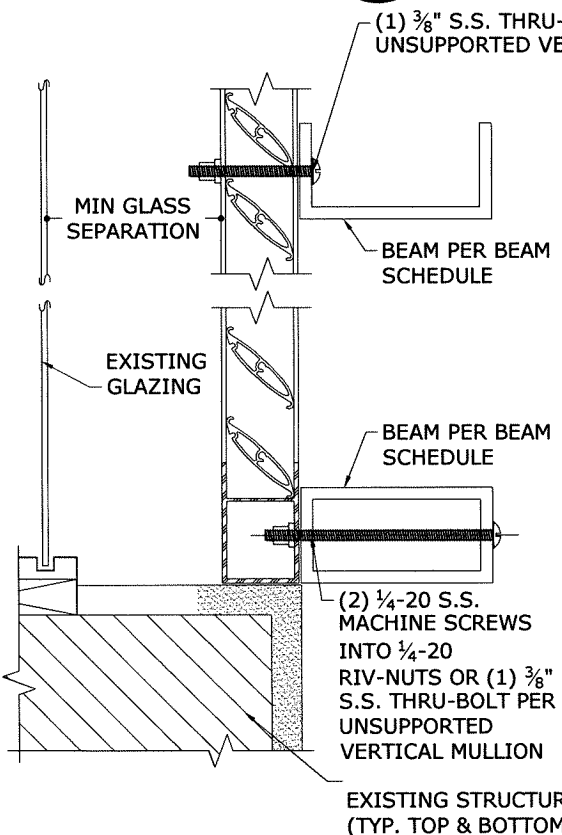
WALL BRACKET ANCHORS TYPES:

- **TYPE A:** 1/4-20 ALL POINT SOLID SET ANCHORS:
 - IN CONCRETE (3.35KSI MIN) WITH 7/8" MIN EMBED. AND 3" MIN EDGE DIST.
 - IN HOLLOW CONCRETE BLOCK WITH 7/8" MIN EMBED. AND 3" MIN EDGE DIST.
- **TYPE B:** 1/4-20 ELCO PANELMATES (MALE/FEMALE):
 - IN CONCRETE (3.35KSI MIN) WITH 1 3/4" MIN EMBED. AND 2 1/2" MIN EDGE DIST.
 - IN HOLLOW CONCRETE BLOCK WITH 1 1/4" MIN EMBED. AND 2" MIN EDGE DIST.
 - IN WOOD (G=0.42 MIN) WITH 1 1/2" MIN EMBED. AND 3/4" MIN EDGE DIST.
- **TYPE C:** 1/4" ITW TAPCON SG:
 - IN CONCRETE (3.35KSI MIN) WITH 1 3/4" MIN EMBED. AND 2 1/2" MIN EDGE DIST.
 - IN HOLLOW CONCRETE BLOCK WITH 1 1/4" MIN EMBED. AND 2" MIN EDGE DIST.
 - IN WOOD (G=0.42 MIN) WITH 1 7/8" MIN EMBED. AND 3/4" MIN EDGE DIST.
- **TYPE D:** 1/4" MILLENIUM MILLFAST:
 - IN CONCRETE (3.275KSI MIN) WITH 1 3/4" EMBED AND 2 1/2" EDGE DIST.
 - IN HOLLOW CONCRETE BLOCK WITH 1 1/4" EMBED. AND 2 1/2" MIN EDGE DIST.
- **TYPE E:** #12 SMS W/ 2" EYEWALL ARMOR NYLON INSERT:
 - IN CONCRETE (2KSI MIN) WITH 2" EMBED AND 2" EDGE DIST.
 - IN HOLLOW CONCRETE BLOCK WITH 1 1/4" EMBED AND 2" EDGE DIST.

BEAM SCHEDULE:

| BEAM SIZE | ALUMINUM ALLOY | SHUTTER SPAN | BEAM SPAN (+/- 40 PSF MAX) | BEAM SPAN (+/- 50 PSF MAX) | BEAM SPAN (+/- 60 PSF MAX) | BEAM SPAN (+/- 95 PSF MAX) | WALL BRACKET ANCHOR TYPES (+/-95 PSF MAX) | | | WALL BRACKET ANCHOR TYPES (+/-50 PSF MAX) | | |
|-------------------|----------------|--------------|----------------------------|----------------------------|----------------------------|----------------------------|---|--------------|-------------------|---|--------------|-------------------|
| | | | | | | | CONCRETE | HOLLOW BLOCK | WOOD (G=0.42 MIN) | CONCRETE | HOLLOW BLOCK | WOOD (G=0.42 MIN) |
| 2"x3"x1/8" | 6063-T6 | 8'-0" | 7'-9" | 7'-0" | 6'-4" | 5'-1" | A,B,C,D,E | A,C | B,C | A,B,C,D,E | A,B,C,E | B,C |
| | | 6'-8" | 8'-7" | 7'-8" | 7'-0" | 5'-7" | A,B,C,D,E | A,C,E | B,C | A,B,C,D,E | A,B,C,E | B,C |
| | | 5'-10" | 9'-2" | 8'-2" | 7'-6" | 5'-11" | A,B,C,D,E | A,B,C,E | B,C | A,B,C,D,E | A,B,C,D,E | B,C |
| 2"x4"x1/8" | 6063-T6 | 8'-0" | 9'-7" | 8'-7" | 7'-10" | 6'-3" | A,B,C,D,E | A,C | B,C | A,B,C,D,E | A,C,E | B,C |
| | | 6'-8" | 10'-6" | 9'-5" | 8'-7" | 6'-10" | A,B,C,D,E | A,C | B,C | A,B,C,D,E | A,B,C,E | B,C |
| | | 5'-10" | 11'-3" | 10'-1" | 9'-2" | 7'-4" | A,B,C,D,E | A,C | B,C | A,B,C,D,E | A,B,C,E | B,C |
| 2"x5"x1/8" | 6063-T6 | 8'-0" | 11'-5" | 10'-2" | 9'-4" | 7'-5" | A,B,C,D,E | A,C | | A,B,C,D,E | A,C | B,C |
| | | 6'-8" | 12'-6" | 11'-2" | 10'-2" | 8'-1" | A,B,C,D,E | A,C | | A,B,C,D,E | A,C | B,C |
| | | 5'-10" | 13'-4" | 11'-11" | 10'-11" | 8'-8" | A,B,C,D,E | A,C | B,C | A,B,C,D,E | A,C,E | B,C |
| 2"x4"x1/4" | 6061-T6 | 8'-0" | 14'-10" | 13'-3" | 12'-2" | 9'-8" | A,B,C | | | A,B,C,D,E | A,C | |
| | | 6'-8" | 16'-3" | 14'-7" | 13'-3" | 10'-7" | A,B,C,D,E | | | A,B,C,D,E | A,C | |
| | | 5'-10" | 17'-5" | 15'-7" | 14'-2" | 11'-3" | A,B,C,D,E | A | | A,B,C,D,E | A,C | B,C |
| 4"x2"x0.23"x0.15" | 6063-T6 | 8'-0" | 9'-4" | 8'-4" | 7'-9" | 6'-1" | A,B,C,D,E | A,C | B,C | A,B,C,D,E | A,B,C,E | B,C |
| | | 6'-8" | 10'-3" | 9'-2" | 8'-4" | 6'-8" | A,B,C,D,E | A,C | B,C | A,B,C,D,E | A,B,C,E | B,C |
| | | 5'-10" | 10'-11" | 9'-9" | 8'-11" | 7'-1" | A,B,C,D,E | A,C | B,C | A,B,C,D,E | A,B,C,E | B,C |
| 6"x2"x0.29"x0.17" | 6061-T6 | 8'-0" | 17'-3" | 15'-6" | 14'-1" | 11'-3" | A,B,C | | | A,B,C,D,E | A,C | |

*MILLENIUM MILLFAST ANCHORS MUST BE SPACED AT 4" O.C. MINIMUM



3 BEAM CONNECTION TO SHUTTER
3 N.T.S. VERTICAL SECTION

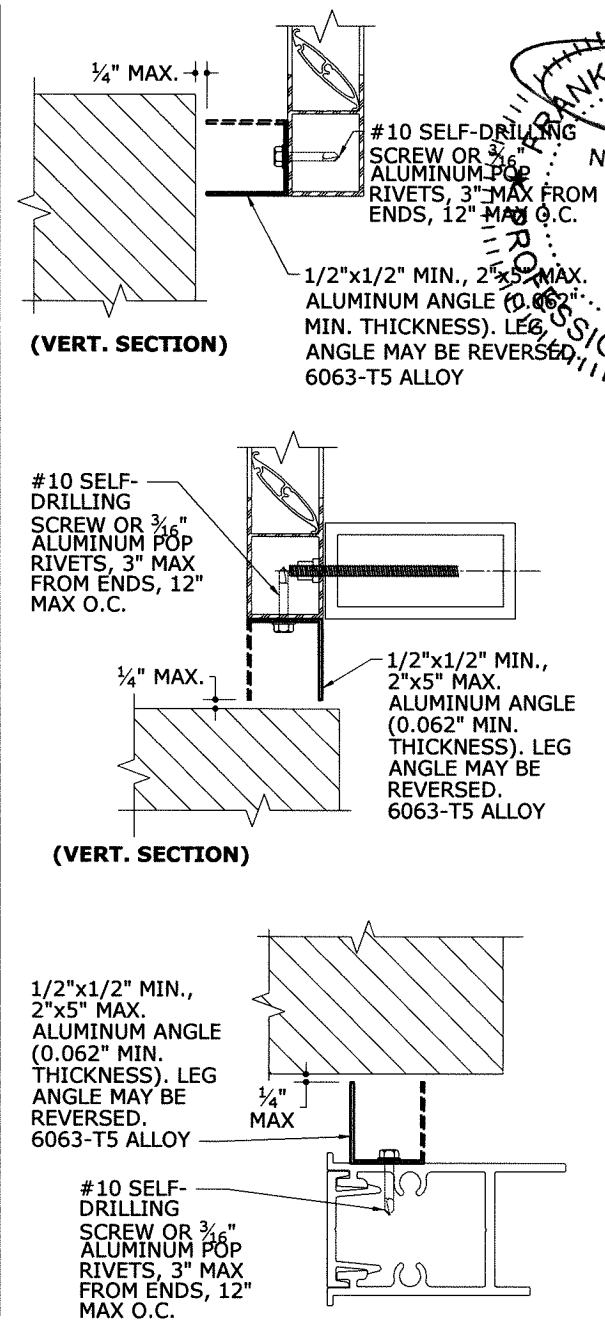
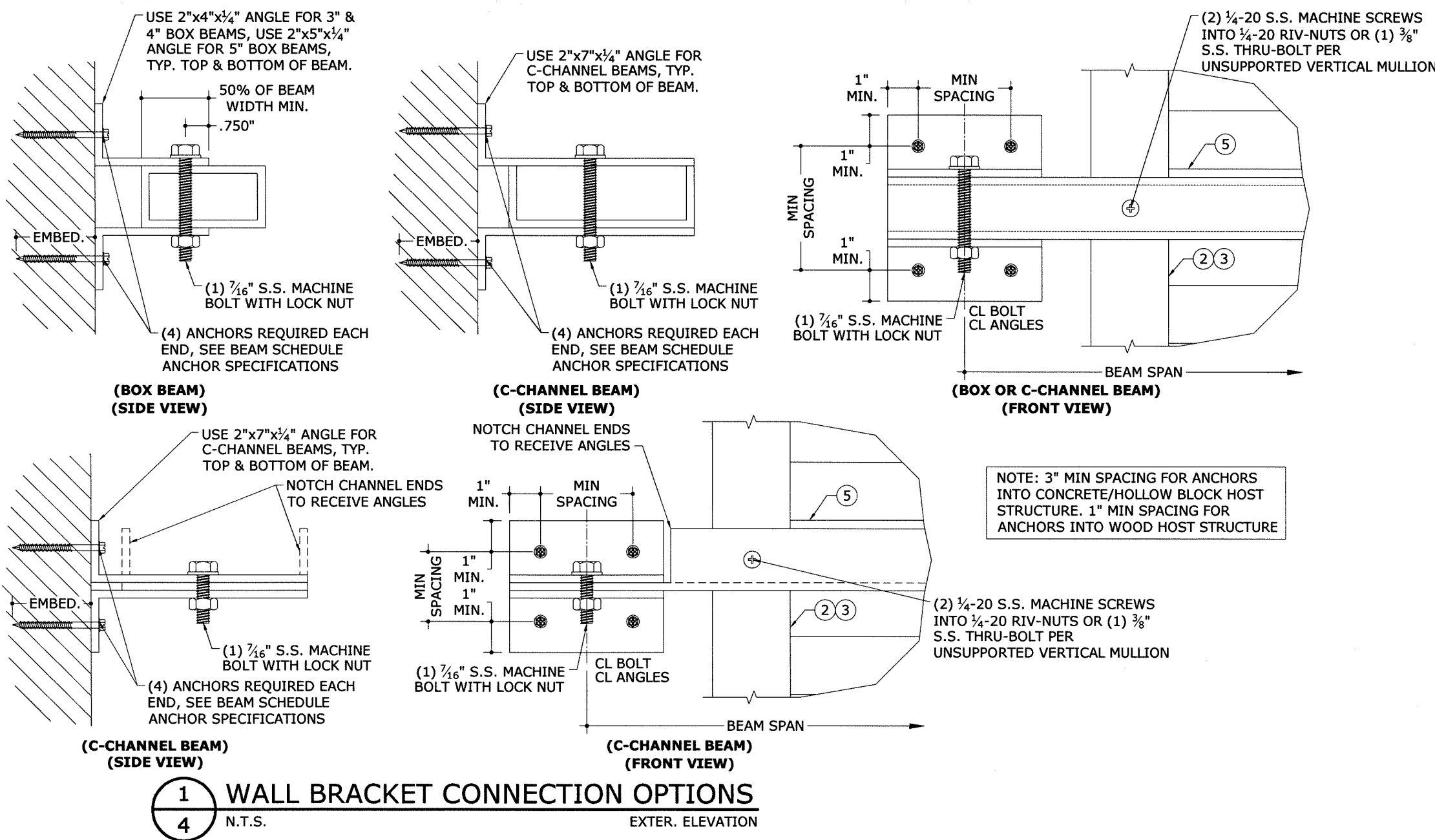
FRANK L. BENNARDO, P.E.
 # PE0046549
 08/09/2017
 No. PE0046549
ENGINEERING EXPRESS
 CORPORATE OFFICE:
 160 SW 12th AVE, SUITE 106
 DEERFIELD BEACH, FL 33442
 P: (954) 354-0660 F: (954) 354-0665
 E: HELLO@ENGINEERINGEXPRESS.COM
 CERT OF AUTH #9885

Town & Country INDUSTRIES
 Wholesale Aluminum and Building Products
 A Division of Alco Supply Co., Inc.
 400 WEST MCNAB ROAD FT. LAUDERDALE, FL 33309
 FLORIDA PRODUCT APPROVAL #13434-1

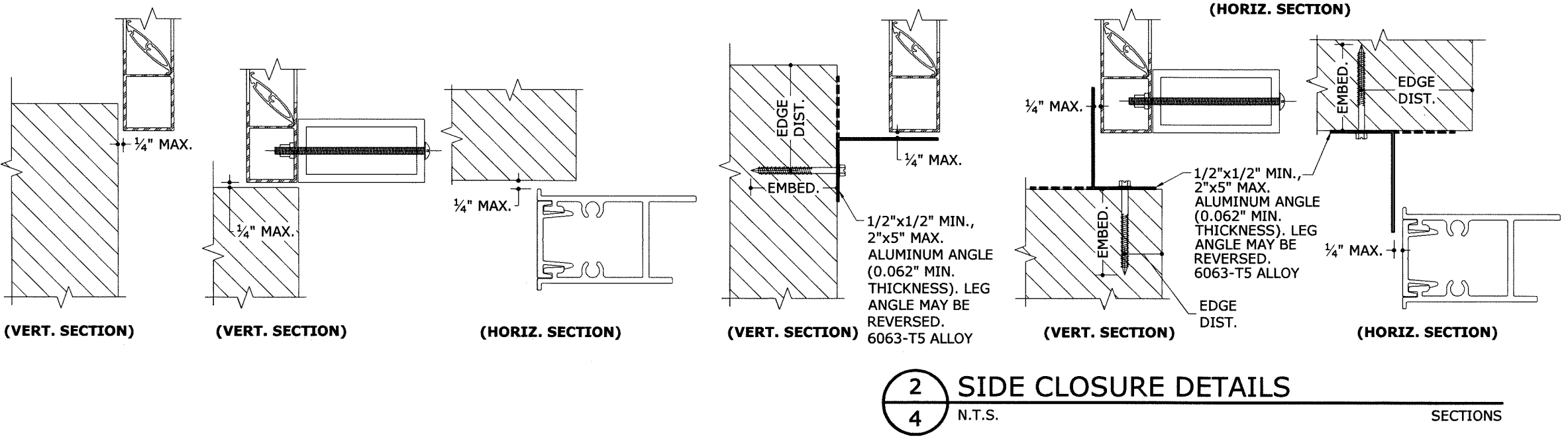
| REMARKS | DRWN | CHKD | DATE |
|------------------------|------|------|----------|
| CLIENT COMMENTS | FLB | FLB | 12/15/09 |
| REV. PER ADDL. TESTING | KL | FLB | 02/25/10 |
| REV (2010 FBC) | CSL | FLB | 08/04/10 |
| REV (2014 FBC) | RWN | CSL | 12/16/11 |
| REV (ADD 4' BLADE) | RWN | FLB | 04/07/15 |
| REV (2017 FBC) | RWN | FLB | 10/04/16 |
| | RWN | FLB | 08/02/17 |

COPYRIGHT ENGINEERING EXPRESS
15-2342
 SCALE: -
 PAGE DESCRIPTION:
3 OF 3

08/09/2017 - 9:35pm zachr V:\Projects\15-2342 Fullview Bahama Shutter - FSA - Update FL13434.1 for 2014 Florida Bldg C-Project\WP2017 FBC Update\15-2342-Dwg-FL13434.1.dwg



- SIDE CLOSURE NOTES**
- FOR INSTALLATIONS WITHIN THE HVHZ, IN LIEU OF SIDE CLOSURE ANGLE, SHUTTER MAY OVERLAP OPENING BY 1.5 X SHUTTER BUILD OUT DISTANCE.
 - ANCHORS MAY BE ANY ANCHOR FROM ANCHOR NOTE 1, ON SHEET 5, INSTALLED 3" MAX FROM EACH END, AND 12" O.C. MAX, OR 1/4" ITW TAPCONS WITH 1 1/2" MIN EDGE DISTANCE AND FULL THREAD ENGAGEMENT TO 3/4" MIN PLYWOOD INSTALLED 3" MAX FROM EACH END AND 7" O.C. MAX.
 - ANCHORS SHALL BE INSTALLED IN ACCORDANCE WITH MANUFACTURERS' RECOMMENDATIONS.
 - ALL CONCRETE ANCHORS SHALL BE INSTALLED TO NON-CRACKED CONCRETE ONLY.
 - MINIMUM EMBEDMENT SHALL BE AS NOTED IN ANCHOR NOTE 1 ON SHEET 5. MINIMUM EMBEDMENT AND EDGE DISTANCE EXCLUDES STUCCO, FOAM, BRICK, AND OTHER WALL FINISHES.
 - WHERE EXISTING STRUCTURE IS WOOD FRAMING, EXISTING CONDITIONS MAY VARY. FIELD VERIFY THAT FASTENERS ARE INTO ADEQUATE WOOD FRAMING MEMBERS, NOT INTO PLYWOOD.



FRANK L. BENNARDO, P.E.
PE0046549

08/09/2017

No PE0046549

ENGINEERING EXPRESS

CORPORATE OFFICE:
160 SW 12th AVE, SUITE 106
DEERFIELD BEACH, FL 33442
P: (954) 354-0660 F: (954) 394-0669
E: HELLO@ENGINEERINGEXPRESS.COM

CERT OF AUTH #9885

Town & Country INDUSTRIES
Wholesale Aluminum and Building Products
A Division of Abr Supply Co., Inc.

400 WEST MCNAB ROAD FT. LAUDERDALE, FL 33309
FLORIDA PRODUCT APPROVAL #13434.1

| REMARKS | DRWN | CHKD | DATE |
|--------------------------|------|------|----------|
| INIT ISSUE (09-TCM-0003) | FLB | FLB | 12/15/09 |
| CLIENT COMMENTS/CLOSURE | KL | FLB | 02/25/10 |
| REV. PER ADDL. TESTING | KL | FLB | 09/04/10 |
| REV (2010 FBC) | RWN | CSL | 12/18/11 |
| REV (2014 FBC) | RWN | CSL | 04/07/15 |
| REV (ADD 4' BLADE) | RWN | FLB | 10/04/16 |
| REV (2017 FBC) | RWN | FLB | 09/02/17 |

THIS DOCUMENT IS THE PROPERTY OF ENGINEERING EXPRESS AND SHALL NOT BE REPRODUCED, COPIED, OR TRANSMITTED IN ANY FORM OR BY ANY MEANS, ELECTRONIC OR MECHANICAL, INCLUDING PHOTOCOPYING, RECORDING, OR BY ANY INFORMATION STORAGE AND RETRIEVAL SYSTEM, WITHOUT THE WRITTEN PERMISSION OF ENGINEERING EXPRESS. ALTERNATIONS, ADDITIONS, DELETIONS, OR OTHER MODIFICATIONS TO THIS DOCUMENT ARE NOT PERMITTED AND WILL VOID OUR CERTIFICATION.

COPYRIGHT ENGINEERING EXPRESS

15-2342

SCALE: _____

PAGE DESCRIPTION: _____

4 OF 4

V:\Projects\15-2342 Fullview Bahama Shutter - FSA - Update FL13434.1 for 2014 Florida Bldg C-Project\WP2017 FBC Update\15-2342-Dwg-FL13434.1.dwg 08/09/2017 - 9:35pm zachr

ANCHOR NOTE 1: UNLESS NOTED OTHERWISE BELOW, ANCHORS AT 3" FROM ENDS AND 12" O.C. MAX (CHOOSE ONE FROM BELOW)

- CONNECTION IN CONCRETE:
 - ¼" ITW TAPCON WITH 1¾" MIN EMBED. AND 2½" MIN EDGE DIST. (3.19KSI MIN CONC.)
 - ¼" ITW TAPCON SG WITH 1¾" MIN EMBED. AND 2½" MIN EDGE DIST. (3.30KSI MIN CONC.)
 - ¼" ELCO PANELMATES (MALE/FEMALE) WITH 1¾" MIN EMBED. AND 2½" MIN EDGE DIST. (3.32KSI MIN CONC.)
 - ¼"-20 ALL POINTS SOLID SET ANCHOR WITH 7/8" MIN EMBED. AND 2" MIN EDGE DIST. (3.0KSI MIN CONC.)
 - ¼" MILLENIUM MILLFAST WITH 1¾" EMBED AND 2½" EDGE DIST. (3.275KSI MIN)
 - #12 SMS W/ 2" EYEWALL ARMOR NYLON INSERT W/ 2" EMBED AND 2" EDGE DIST (2 KSI MIN)
- CONNECTION IN HOLLOW CONCRETE BLOCK:
 - ¼" ITW TAPCON WITH 1¾" MIN EMBED. AND 2½" MIN EDGE DIST., SPACED AT 4" O.C. MAX.
 - ¼" ITW TAPCON SG WITH 1¾" MIN EMBED. AND 2½" MIN EDGE DIST.
 - ¼" ELCO PANELMATES (MALE/FEMALE) WITH 1¾" MIN EMBED. AND 2½" MIN EDGE DIST., SPACED AT 6½" O.C. MAX.
 - ¼"-20 ALL POINTS SOLID SET ANCHOR WITH 7/8" MIN EMBED. AND 2" MIN EDGE DIST., SPACED AT 8⅞" O.C. MAX.
 - ¼" MILLENIUM MILLFAST WITH 1¾" EMBED AND 2½" EDGE DIST., SPACED AT 4½" O.C. MAX
 - #12 SMS W/ 2" EYEWALL ARMOR NYLON INSERT W/ 1¾" EMBED AND 2" EDGE DIST., SPACED AT 7" O.C. MAX
- CONNECTION IN WOOD (G=0.42 MIN):
 - ¼" LAG SCREW WITH 1½" MIN EMBED. AND ¾" MIN EDGE DIST.
 - #14 SHEET METAL SCREW WITH 1½" MIN EMBED. AND ¾" MIN EDGE DIST.

ANCHOR NOTE 2: CHOOSE ONE ANCHOR TYPE FROM BELOW, INSTALL QTY SHOWN

- CONNECTION IN CONCRETE:
 - (2) ¼" ITW TAPCON WITH 1¾" MIN EMBED. AND 2½" MIN EDGE DIST. (3.19KSI MIN CONC.)
 - (2) ¼" ITW TAPCON SG WITH 1¾" MIN EMBED. AND 2½" MIN EDGE DIST. (3.30KSI MIN CONC.)
 - (2) ¼" ELCO PANELMATES (MALE/FEMALE) WITH 1¾" MIN EMBED. AND 2½" MIN EDGE DIST. (3.32KSI MIN CONC.)
 - (2) ¼"-20 ALL POINTS SOLID SET ANCHOR WITH 7/8" MIN EMBED. AND 2" MIN EDGE DIST. (3.0KSI MIN CONC.)
 - (2) ¼" MILLENIUM MILLFAST WITH 1¾" EMBED AND 2½" EDGE DIST. (3.275KSI MIN)
 - (2) #12 SMS W/ 2" EYEWALL ARMOR NYLON INSERT W/ 2" EMBED AND 2" EDGE DIST (2 KSI MIN)

NOTE: ALL 69" MAXIMUM SHUTTER SPAN INSTALLATIONS WITH MULTI-PANEL SPANS WITHOUT STORM BARS AT -95PSF REQUIRE A QUANTITY OF (3) ANCHORS FROM THE OPTIONS ABOVE
- CONNECTION IN WOOD (G=0.42 MIN):
 - (3) ¼" ELCO PANELMATE (MALE/FEMALE) WITH 1⅞" MIN EMBED. AND ¾" MIN EDGE DIST.
 - (3) ¼" ITW TAPCON SG WITH 1⅞" MIN EMBED. AND ¾" MIN EDGE DIST.
 - (2) ¼" STAINLESS STEEL HANGER BOLT WITH 1¼" MIN EMBED. AND ¾" MIN EDGE DIST.

NOTE: ALL 69" MAXIMUM SHUTTER SPAN INSTALLATIONS WITH MULTI-PANEL SPANS WITHOUT STORM BARS AT -95PSF REQUIRE A QUANTITY OF (3) ANCHORS FROM THE OPTIONS ABOVE
- CONNECTION IN HOLLOW CONCRETE BLOCK**:
 - SEE ANCHOR SCHEDULE BELOW FOR APPLICABILITY OF ANCHORS TO BE INSTALLED. EACH HOLLOW CONCRETE BLOCK ANCHOR IS CLASSIFIED WITH A LETTER AS SHOWN BELOW ACCOMPANIED BY A NUMBER INDICATING THE QUANTITY OF ANCHORS REQUIRED FOR INSTALLATION. THE DESIGN TABLE ILLUSTRATED BELOW APPLIES TO HOLLOW CONCRETE BLOCK ANCHORS ONLY.
 - TYPE (w) : ¼" ITW TAPCON WITH 1¾" MIN EMBED. AND 2½" MIN EDGE DIST.
 - TYPE (x) : ¼" ITW TAPCON SG WITH 1¾" MIN EMBED. AND 2½" MIN EDGE DIST.
 - TYPE (y) : ¼" ELCO PANELMATES (MALE/FEMALE) WITH 1¾" MIN EMBED. AND 2½" MIN EDGE DIST.
 - TYPE (z) : ¼"-20 ALL POINTS SOLID SET ANCHOR WITH 7/8" MIN EMBED. AND 2" MIN EDGE DIST.
 - TYPE (u) : ¼" MILLENIUM MILLFAST WITH 1¾" EMBED AND 2½" EDGE DIST.
 - TYPE (v) : #12 SMS W/ 2" EYEWALL ARMOR NYLON INSERT W/ 1¾" EMBED AND 2" EDGE DIST

| MAX (-) PRESSURE | 69" MAXIMUM SHUTTER SPAN | | | 81-5/8" MAXIMUM SHUTTER SPAN | | | 96-3/4" MAXIMUM SHUTTER SPAN | | |
|------------------|----------------------------------|---------------------|----------------------------------|------------------------------|---------------------|----------------------------------|----------------------------------|------------------|----------------------------------|
| | SINGLE PANEL SPAN | MULTI-PANEL SPAN | | SINGLE PANEL | MULTI-PANEL SPAN | | SINGLE PANEL | MULTI-PANEL SPAN | |
| | | W/O BAR | W/BAR | | W/O BAR | W/BAR | | W/O BAR | W/BAR |
| -50 PSF | (w3) (x2) (y2) (z2) (u3) (v2) | (x2) (y3) (z2) (v2) | (w2) (x2) (y2) (z2) (u2) (v2) | (x2) (y2) (z2) (u3) (v2) | (x2) (y3) (z2) (v3) | (w3) (x2) (y2) (z2) (u2) (v2) | (w3) (x2) (y2) (z2) (u3) (v2) | (x2) (z3) (v3) | (w3) (x2) (y2) (z2) (u3) (v2) |
| -60 PSF | (x2) (y3) (z2) (u3) (v2) | (x2) (y3) (z2) (v3) | (w3) (x2) (y2) (z2) (u2) (v2) | (x2) (y3) (z2) (v3) | N/A | (w3) (x2) (y2) (z2) (u3) (v2) | (w3) (x2) (y2) (z2) (u3) (v2) | N/A | (w3) (x2) (y2) (z2) (u3) (v2) |
| -70 PSF | (x2) (y3) (z2) (v3) | (x2) (z3) (v3) | (w3) (x2) (y2) (z2) (u3) (v2) | (x2) (y3) (z3) (v3) | N/A | (w3) (x2) (y2) (z2) (u3) (v2) | (x2) (y3) (z2) (v2) | N/A | (x2) (y3) (z2) (v2) |
| -95 PSF | (x2) (z3) (v3) | (x3) | (x2) (y3) (z2) (u3) (v2) | (x3) (z3) | N/A | (x2) (y3) (z2) (v3) | (x2) (y3) (z3) (v3) | N/A | (x2) (y3) (z3) (v3) |

**HOLLOW BLOCK ANCHOR SCHEDULE KEY: w3 = ANCHOR TYPE "w" WITH "3" ANCHORS.

ANCHOR NOTE 3: CHOOSE ONE ANCHOR TYPE FROM BELOW, INSTALL QTY SHOWN

- CONNECTION IN CONCRETE:
 - (1) ¼" ITW TAPCON WITH 1¾" MIN EMBED. AND 2½" MIN EDGE DIST. (3.19KSI MIN CONC.)
 - (1) ¼" ITW TAPCON SG WITH 1¾" MIN EMBED. AND 2½" MIN EDGE DIST. (3.30KSI MIN CONC.)
 - (1) ¼"-20 ALL POINTS SOLID SET ANCHOR WITH 7/8" MIN EMBED. AND 3" MIN EDGE DIST. (3.0KSI MIN CONC.)
 - (1) ¼" MILLENIUM MILLFAST WITH 1¾" EMBED AND 2½" EDGE DIST. (3.275KSI MIN)
 - (1) #12 SMS W/ 2" EYEWALL ARMOR NYLON INSERT W/ 2" EMBED AND 2" EDGE DIST (2 KSI MIN)
- CONNECTION IN HOLLOW CONCRETE BLOCK:
 - (2) ¼" ELCO ULTRACONS WITH 1¾" MIN EMBED. AND 2½" MIN EDGE DIST.
 - (2) ¼"-20 ALL POINTS SOLID SET ANCHOR WITH 7/8" MIN EMBED. AND 3" MIN EDGE DIST.
 - (2) ¼" MILLENIUM MILLFAST WITH 1¾" EMBED AND 2½" EDGE DIST. (3.275KSI MIN)
 - (2) #12 SMS W/ 2" EYEWALL ARMOR NYLON INSERT W/ 2" EMBED AND 2" EDGE DIST (2 KSI MIN)
- CONNECTION IN WOOD (G=0.42 MIN):
 - (1) ¼" LAG SCREW WITH 1½" MIN EMBED. AND ¾" MIN EDGE DIST.
 - (1) #14 SHEET METAL SCREW WITH 1½" MIN EMBED. AND ¾" MIN EDGE DIST.

FRANK L. BENNARDO, P.E.
PE0046549

FRANK L. BENNARDO
LICENSE
No PE0046549
STATE OF FLORIDA
PROFESSIONAL ENGINEER

ENGINEERING EXPRESS

CORPORATE OFFICE:
160 SW 12th AVE, SUITE 106
DEERFIELD BEACH, FL 33442
P: (954) 354-0660 F: (954) 354-0443
E: HELLO@ENGINEERINGEXPRESS.COM
ENGINEERINGEXPRESS.COM
CERT OF AUTH #9885

Town & Country
INDUSTRIES
Wholesale Aluminum and Building Products
A Division of ABC Supply Co., Inc.

400 WEST MCNAB ROAD FT. LAUDERDALE, FL 33309
FLORIDA PRODUCT APPROVAL #13434.1

| REMARKS | DRWN | CHKD | DATE |
|--------------------------|------|------|----------|
| INIT ISSUE (09-TOM-0003) | FKB | FLB | 12/15/09 |
| CLIENT COMMENTS/CLOSURE | KL | FLB | 02/25/10 |
| REV PER ADDL TESTING | KL | FLB | 08/04/10 |
| REV (2010 FBC) | CSL | KL | 12/16/11 |
| REV (2014 FBC) | RWN | CSL | 04/07/15 |
| REV (ADD. 4" BLADE) | RWN | FLB | 10/04/16 |
| REV (2017 FBC) | RWN | FLB | 08/02/17 |

THIS DOCUMENT IS THE PROPERTY OF ENGINEERING EXPRESS AND SHALL NOT BE REPRODUCED, COPIED, OR TRANSMITTED IN ANY FORM OR BY ANY MEANS, ELECTRONIC OR MECHANICAL, INCLUDING PHOTOCOPYING, RECORDING, OR BY ANY INFORMATION STORAGE AND RETRIEVAL SYSTEM. PERMISSION IS GRANTED TO MAKE A SINGLE COPY OF THIS DOCUMENT FOR PERSONAL USE ONLY. PERMISSION IS NOT GRANTED TO REPRODUCE OR TRANSMIT THIS DOCUMENT IN ANY MANNER OR BY ANY MEANS, ELECTRONIC OR MECHANICAL, INCLUDING PHOTOCOPYING, RECORDING, OR BY ANY INFORMATION STORAGE AND RETRIEVAL SYSTEM.

COPYRIGHT ENGINEERING EXPRESS

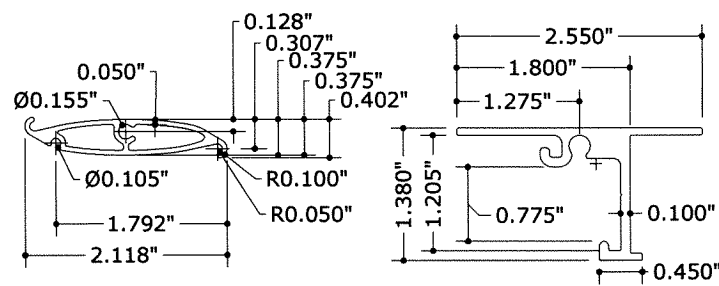
15-2342

SCALE: _____

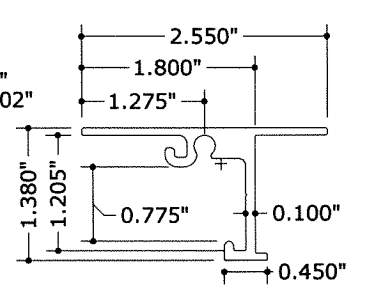
PAGE DESCRIPTION: _____

5

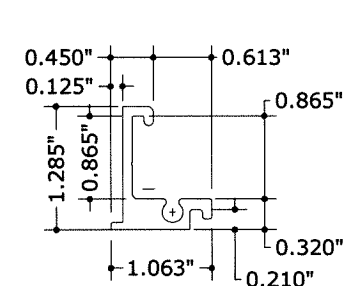
EXTRUSIONS



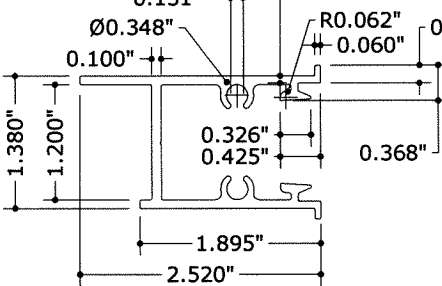
1a 2" BLADE
6" = 1'-0"



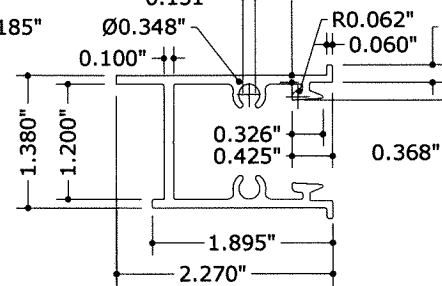
2 FEMALE MULLION
6" = 1'-0"



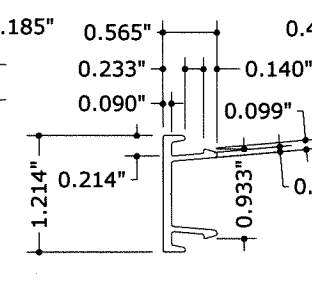
3 MALE MULLION
6" = 1'-0"



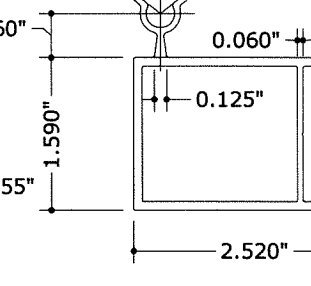
4 JAMB
6" = 1'-0"



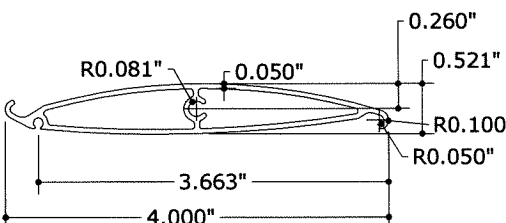
4a FV JAMB
6" = 1'-0"



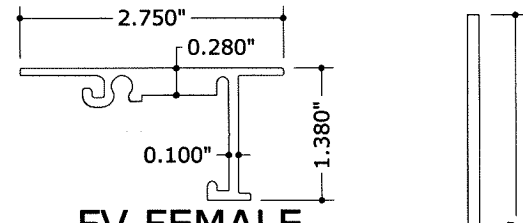
5 JAMB SNAP
6" = 1'-0"



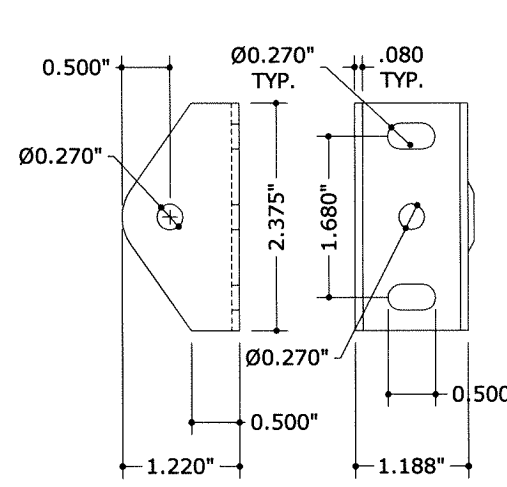
6 HEADER
6" = 1'-0"



1b 4" BLADE
6" = 1'-0"

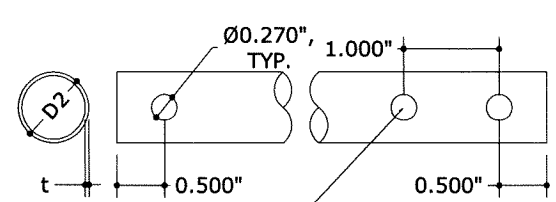


2a FV FEMALE MULLION
6" = 1'-0"

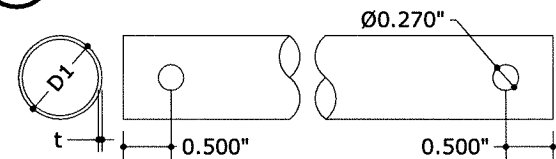


13a L CAMEL BACK HINGE
6" = 1'-0"

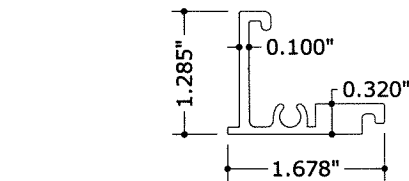
| PIPE (ARM) SCHEDULE | | | | | |
|---------------------|--------------|--------|---------------|--------------|--------|
| OUTER TUBE | | | INNER TUBE | | |
| OUTSIDE DIAM. | INSIDE DIAM. | WALL | OUTSIDE DIAM. | INSIDE DIAM. | WALL |
| 1.000" | 0.900" | 0.050" | 0.875" | 0.775" | 0.050" |



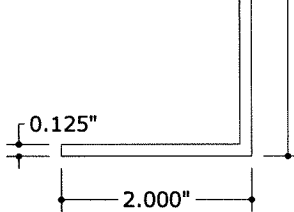
14 ALUMINUM PIPE (INNER)
6" = 1'-0"



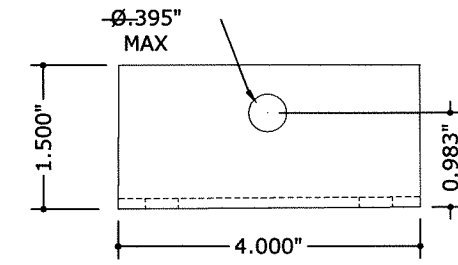
15 ALUMINUM PIPE (OUTER)
6" = 1'-0"



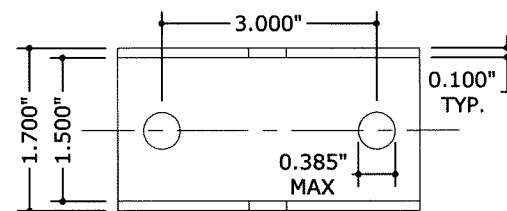
3a FV MALE MULLION
6" = 1'-0"



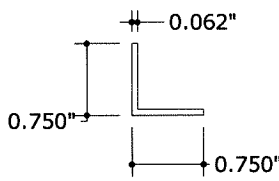
11 ANGLE



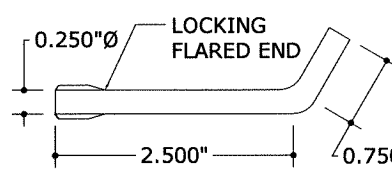
13b "U" WALL BRACKET



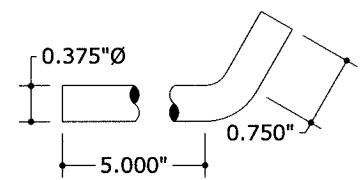
19 GALV. STEEL BENT PLATE INSERT FOR MULLION
6" = 1'-0"



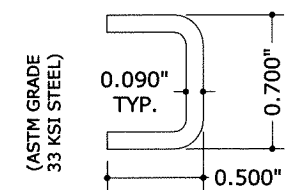
9 ANGLE
6" = 1'-0"



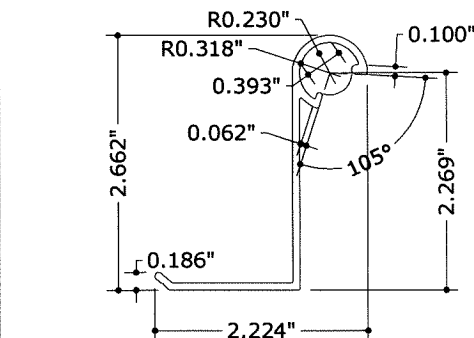
17 L-PIN - 1/4"Ø
6" = 1'-0"



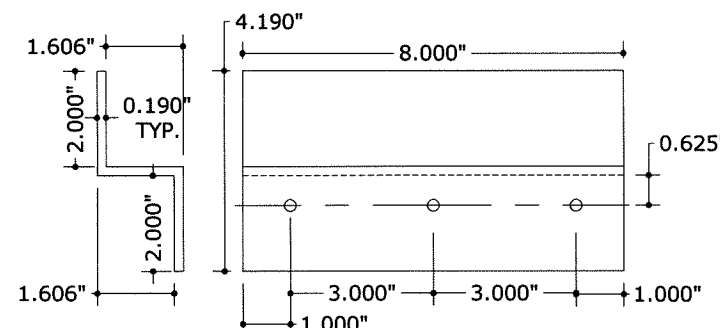
18 L-PIN - 3/8"Ø
6" = 1'-0"



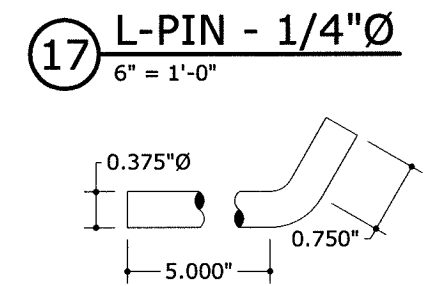
21 TENSION RING
6" = 1'-0"



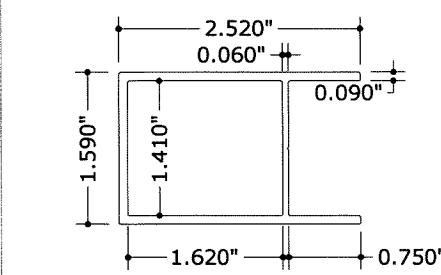
7 HEADER HINGE
6" = 1'-0"



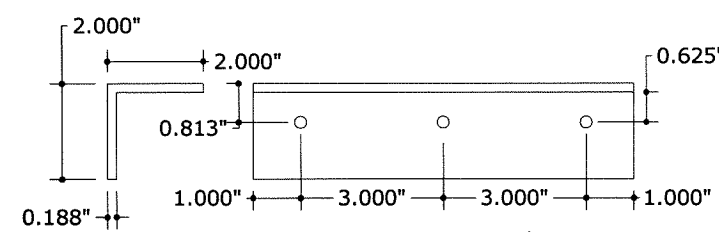
10 "Z" BAR - PROFILE & LAYOUT
3" = 1'-0"



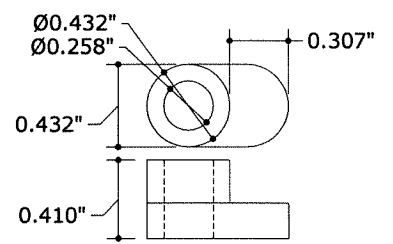
18 L-PIN - 3/8"Ø
6" = 1'-0"



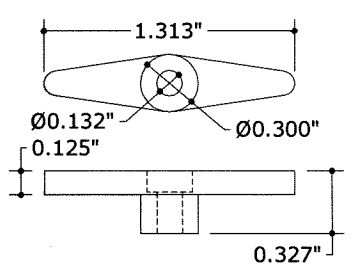
8 SILL
6" = 1'-0"



12 ANGLE - PROFILE & LAYOUT
3" = 1'-0"



20 TAB STOP
6" = 1'-0"



22 ALT. TAB STOP
6" = 1'-0"

FRANK L. BENNARDO, P.E.
No. FE0046549
08/09/2017
PROFESSIONAL SEAL
ENGINEERING EXPRESS
CORPORATE OFFICE:
160 SW 12TH AVE., SUITE 106
DEERFIELD BEACH, FL 33442
P: (954) 354-0660 F: (954) 354-0666
E: HELLO@ENGINEERINGEXPRESS.COM
ENGINEERINGEXPRESS.COM
CERT OF AUTH #9885

Town & Country
INDUSTRIES
Wholesale Aluminum and Building Products
A Division of ABC Supply Co., Inc.
400 WEST MCNAB ROAD FT. LAUDERDALE, FL 33309
FLORIDA PRODUCT APPROVAL #13434.1

| DRWN | CHKD | DATE | REMARKS |
|------|------|----------|--------------------------|
| FLB | FLB | 12/16/09 | INIT ISSUE (09-TOM-0003) |
| FLB | FLB | 02/25/10 | CLIENT COMMENTS/CLOSURE |
| KL | FLB | 08/04/10 | REV. PER ADDL TESTING |
| CSL | CSL | 12/16/11 | REV (2010 FBC) |
| RWN | CSL | 04/07/15 | REV (2014 FBC) |
| RWN | FLB | 10/04/16 | REV (ADD 4" BLADE) |
| RWN | FLB | 08/02/17 | REV (2017 FBC) |

THIS DOCUMENT IS THE PROPERTY OF ENGINEERING EXPRESS AND SHALL NOT BE REPRODUCED IN WHOLE OR IN PART WITHOUT WRITTEN CONSENT OF THE CERTIFYING ENGINEER. A TENTATIVE, ADDITIONAL, HIGHLY SKETCHY OR OTHER MARKS TO THIS DOCUMENT ARE NOT PERMITTED AND WILL BE DELETED UPON REQUEST.

15-2342
SCALE:
PAGE DESCRIPTION:
OF

V:\Projects\15-2342 Fullview Bahama Shutter - FSA - Update FL13434.1 for 2014 Florida Bldg C-Project\WP\2017 FBC Update\15-2342-Dwg-FL13434.1.dwg
zacht
08/09/2017 - 9:35pm